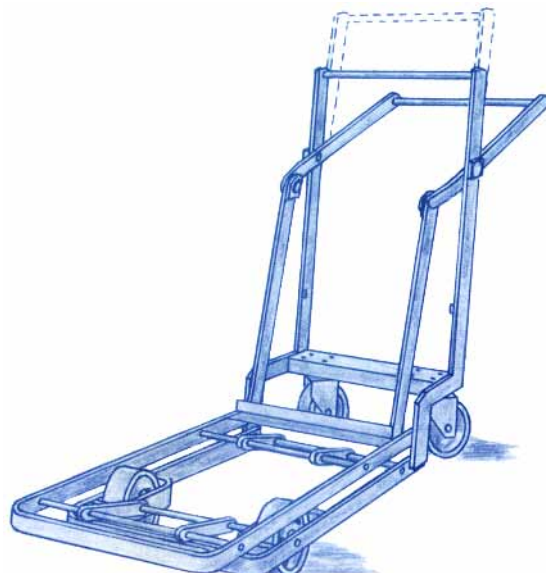


SUPPORTS & MANUTENTION

Racks and bases for stacks, trolley/cart



Reference	Denomination	Construction	Technical Specifications	Dimensions				Remarks	Use under certain conditions
				mm	Inch	mm	Inch		
PDB	Base for stack	Stainless steel 304 ou 316 L	For plastic feets	Adaptées aux claies ou aux plateaux				160 mm useful height for forks entries	For plastic feets
CLAIES	Aging racks	Stainless steel 304 ou 316 L	25,31 or 51 fils	510	20 1/16	630	24 25/32	Trade products	
CHARIOT	Trolley /cart	Stainless steel 304 ou 316 L	One or two stacks	Adapted to your block-moulds and racks dimensions					